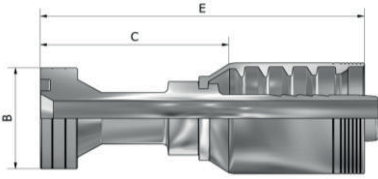


DF70C SERIES(Caterpillar Style Flange Straight)

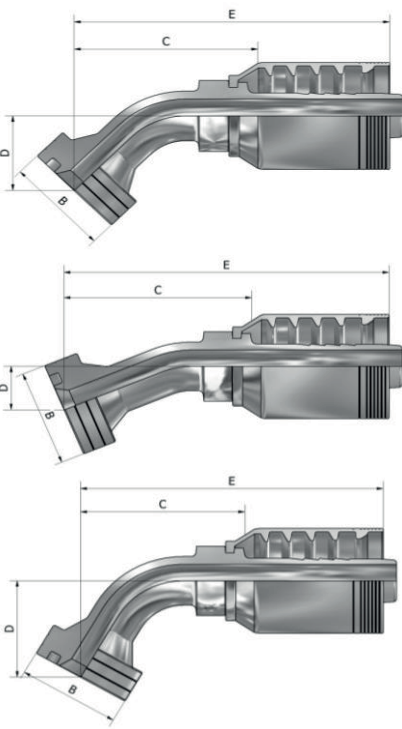
LIST



PART NUMBER	Products Description									
	Hose In-Dia	Flange Size	Flange Dia		Tail-Growth		Overall Length			
			MM	Inch	MM	Inch	MM	Inch		
			B		C		E			
A										
DF70C-12-12	3/4	3/4	41.3	1 5/8	71.9	2.83	124.4	4.90		
DF70C-16-12	3/4	1"	47.6	1 7/8	50.6	1.99	103.2	4.06		
DF70C-16-16	1"	1"	47.6	1 7/8	87.5	3.44	141.5	5.57		
DF70C-16-16C91	1"	1"	47.6	1 7/8	95.0	3.74	149.4	5.88		
DF70C-20-16	1"	1-1/4	54.0	2 1/8	55.4	2.18	109.8	4.32		
DF70C-20-20	1-1/4	1-1/4	54.0	2 1/8	93.4	3.68	158.7	6.25		
DF70C-24-20	1-1/4	1-1/2	63.5	2 1/2	68.3	2.69	133.6	5.26		
DF70C-24-24	1-1/2	1-1/2	63.5	2 1/2	118.6	4.67	191.6	7.54		
DF70C-32-24	1-1/2	2"	79.4	3 1/8	86.4	3.40	159.4	6.28		
DF70C-32-32	2"	2"	79.4	3 1/8	136.5	5.37	219.4	8.64		

DF74C SERIES(Caterpillar Style Flange 22.5 ~ 67.5° Elbow)

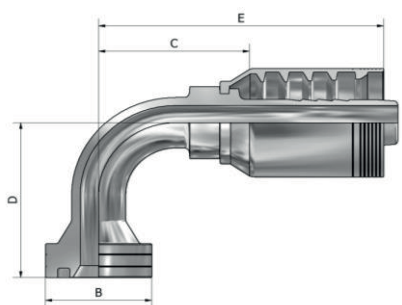
LIST



PART NUMBER	Products Description									
	Hose In-Dia	Flange Size	Flange Dia		Tail-Growth		Drop		Overall Length	
			MM	Inch	MM	Inch	MM	Inch	MM	Inch
			B		C		D		E	
A										
DF74C-12-12	3/4	3/4	41.3	1.63	72.0	2.83	31.6	1.24	124.6	4.91
DF74C-12-12A22.5	3/4	3/4	41.3	1.63	79.4	3.13	18.8	0.74	132.0	5.20
DF74C-12-12A30	3/4	3/4	41.3	1.63	77.3	3.04	23.8	0.94	129.8	5.11
DF74C-12-12A60	3/4	3/4	41.3	1.63	69.4	2.73	41.6	1.64	121.9	4.80
DF74C-16-12	3/4	1"	47.6	1.87	72.0	2.83	31.5	1.24	124.6	4.91
DF74C-16-12A22.5	3/4	1"	47.6	1.87	79.5	3.13	18.8	0.74	132.0	5.20
DF74C-16-12A30	3/4	1"	47.6	1.87	77.3	3.04	23.8	0.94	129.8	5.11
DF74C-16-12A60	3/4	1"	47.6	1.87	71.8	2.83	45.7	1.80	124.3	4.89
DF74C-16-16	1"	1"	47.6	1.87	84.2	3.31	35.3	1.39	138.6	5.46
DF74C-16-16A22.5	1"	1"	47.6	1.87	91.0	3.58	20.8	0.82	145.4	5.72
DF74C-16-16A30	1"	1"	47.6	1.87	88.7	3.49	26.2	1.03	143.2	5.64
DF74C-20-16	1"	1-1/4	54.0	2.13	84.2	3.31	35.3	1.39	138.6	5.46
DF74C-20-16A22.5	1"	1-1/4	54.0	2.13	91.0	3.58	20.8	0.82	145.4	5.72
DF74C-20-16A30	1"	1-1/4	54.0	2.13	88.7	3.49	26.2	1.03	143.2	5.64
DF74C-20-16A60	1"	1-1/4	54.0	2.13	90.3	3.56	61.0	2.40	144.8	5.70
DF74C-20-20	1-1/4	1-1/4	54.0	2.13	109.4	4.31	40.8	1.61	174.7	6.88
DF74C-20-20A22.5	1-1/4	1-1/4	54.0	2.13	111.0	4.37	21.4	0.84	175.9	6.93
DF74C-20-20A30	1-1/4	1-1/4	54.0	2.13	108.2	4.26	26.7	1.05	173.6	6.83
DF74C-20-20A60	1-1/4	1-1/4	54.0	2.13	107.8	4.24	55.2	2.17	173.1	6.81
DF74C-24-20	1-1/4	1-1/2	63.5	2.50	109.4	4.31	40.8	1.61	174.7	6.88
DF74C-24-20A22.5	1-1/4	1-1/2	63.5	2.50	118.5	4.67	24.7	0.97	183.9	7.24
DF74C-24-20A30	1-1/4	1-1/2	63.5	2.50	114.8	4.52	31.1	1.22	181.1	7.13
DF74C-24-20A60	1-1/4	1-1/2	63.5	2.50	107.8	4.24	55.2	2.17	173.2	6.82
DF74C-24-24	1-1/2	1-1/2	63.5	2.50	127.5	5.02	45.2	1.78	200.5	7.89
DF74C-24-24A22.5	1-1/2	1-1/2	63.5	2.50	137.3	5.41	27.6	1.09	210.3	8.28
DF74C-24-24A30	1-1/2	1-1/2	63.5	2.50	134.3	5.29	34.6	1.36	207.3	8.16
DF74C-24-24A60	1-1/2	1-1/2	63.5	2.50	127.0	5.00	61.8	2.43	200.0	7.87
DF74C-32-32	2"	2"	79.4	3.13	163.6	6.44	56.0	2.20	246.5	9.70

DF79C SERIES(Caterpillar Style Flange 90° Elbow)

LIST



PART NUMBER	Products Description									
	Hose In-Dia	Flange Size	Flange Dia		Tail-Growth		Drop		Overall Length	
			MM	Inch	MM	Inch	MM	Inch	MM	Inch
			B		C		D		E	
A										
DF79C-12-12	3/4	3/4	41.3	1.63	58.1	2.29	64.4	2.54	110.6	4.35
DF79C-16-12	3/4	1"	47.6	1.87	58.1	2.29	62.7	2.47	110.6	4.35
DF79C-16-16	1"	1"	47.6	1.87	71.2	2.80	74.5	2.93	125.6	4.94
DF79C-16-16D132	1"	1"	47.6	1.87	71.2	2.80	132.0	5.20	125.6	4.94
DF79C-20-16	1"	1-1/4	54.0	2.13	71.2	2.80	74.5	2.93	125.6	4.94
DF79C-20-20	1-1/4	1-1/4	54.0	2.13	95.0	3.74	86.5	3.41	160.3	6.3
DF79C-20-20D150	1-1/4	1-1/4	54.0	2.13	95.0	3.74	150.0	5.91	160.3	6.3
DF79C-24-20	1-1/4	1-1/2	63.5	2.50	95.0	3.74	86.5	3.41	160.3	6.31
DF79C-24-20D135	1-1/4	1-1/2	63.5	2.50	95.0	3.74	135.0	5.31	160.3	6.31
DF79C-24-20D200	1-1/4	1-1/2	63.5	2.50	95.0	3.74	200.0	7.87	160.3	6.31
DF79C-24-24	1-1/2	1-1/2	63.5	2.50	114.6	4.51	104.0	4.09	187.6	7.4
DF79C-32-24	1-1/2	2"	79.4	3.13	116.1	4.57	104.0	4.09	189.1	7.4
DF79C-32-32	2"	2"	79.4	3.13	154.5	6.08	124.0	4.88	237.4	9.35